

STEREO INTEGRATED AMPLIFIER

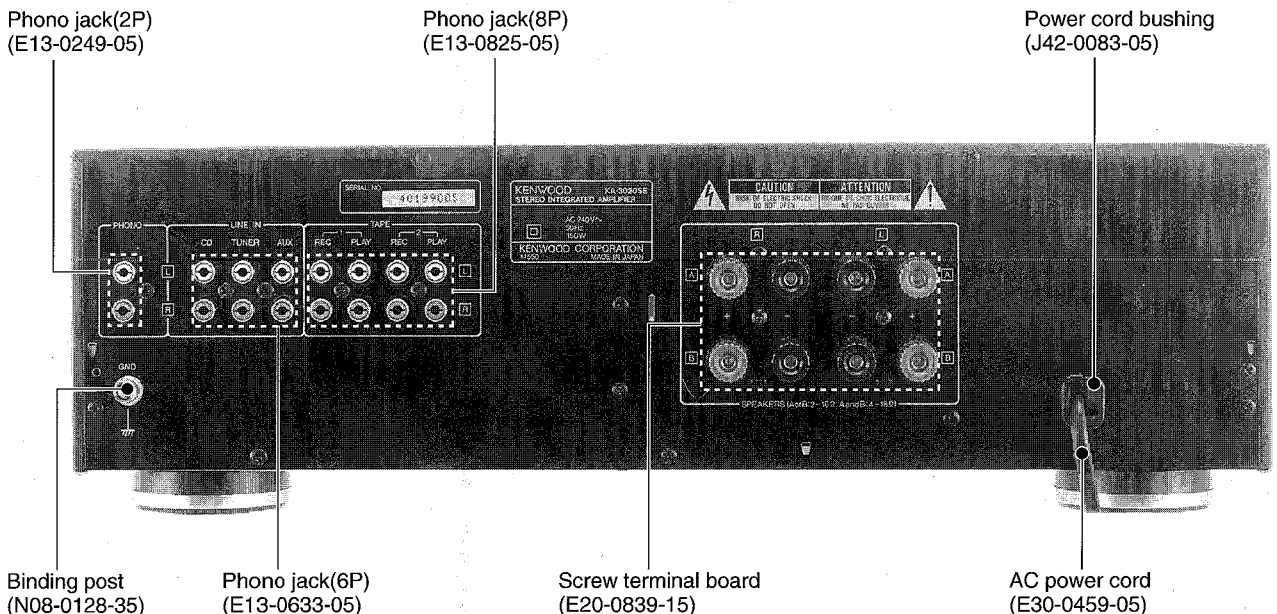
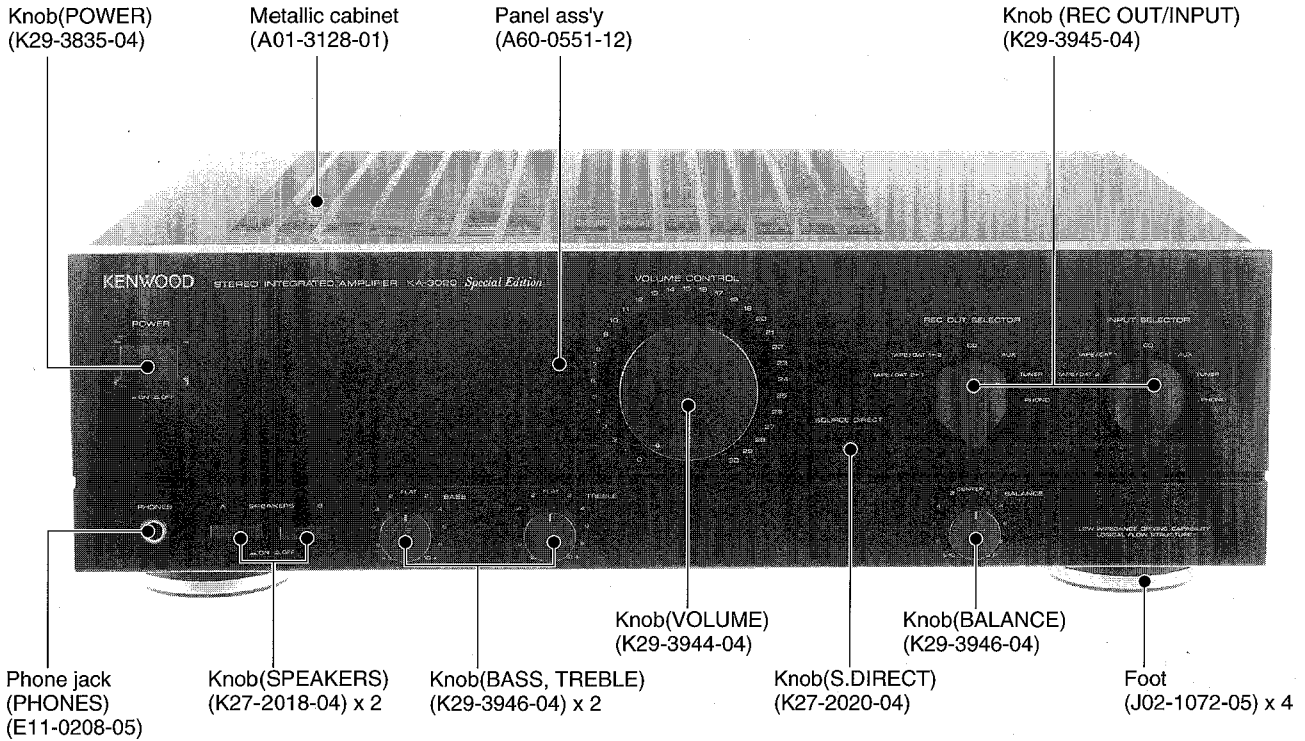
# KA-3020SE

## SERVICE MANUAL

# KENWOOD

© 1995-10 PRINTED IN KOREA  
B51-5119-00(K) 1425

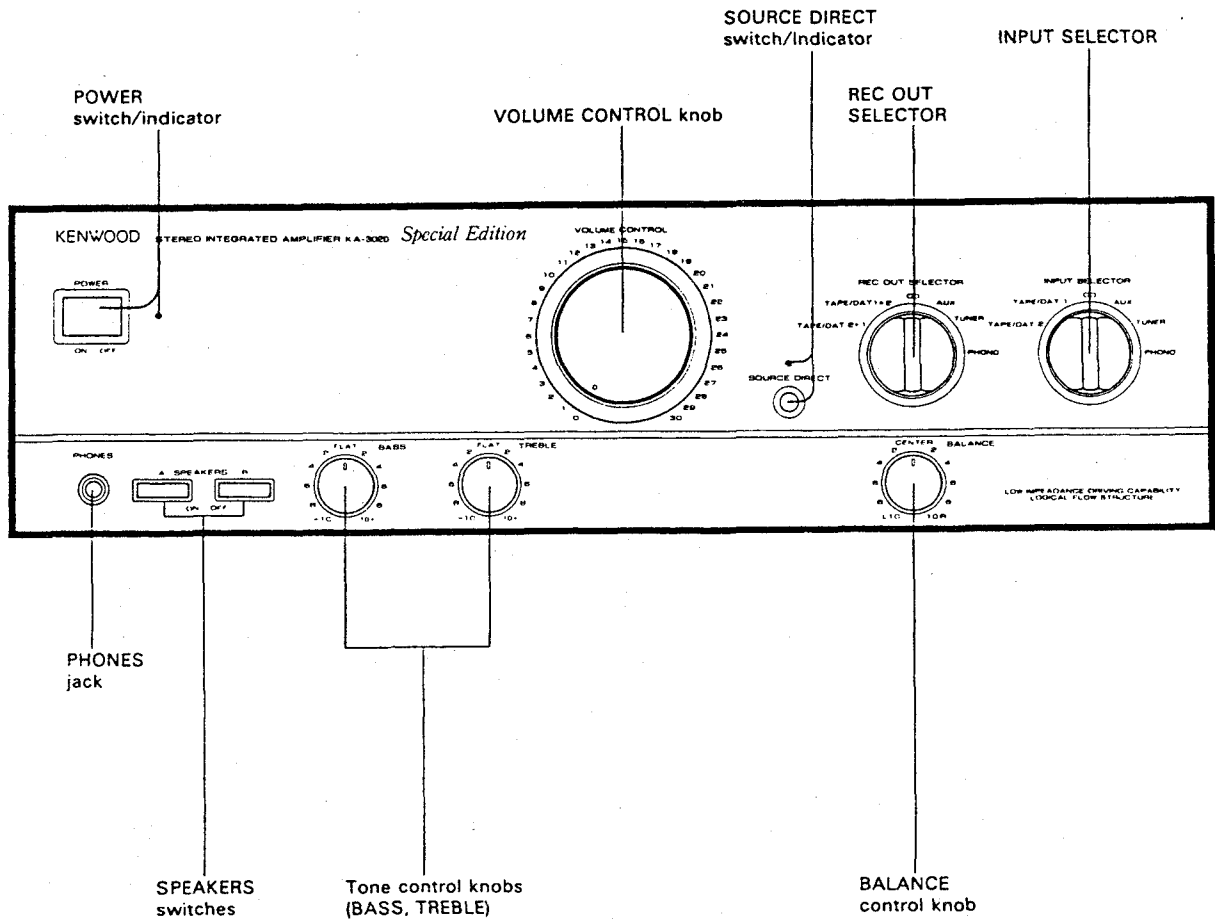
This manual is available for repair from Serial No. 51200001.



# KA-3020SE

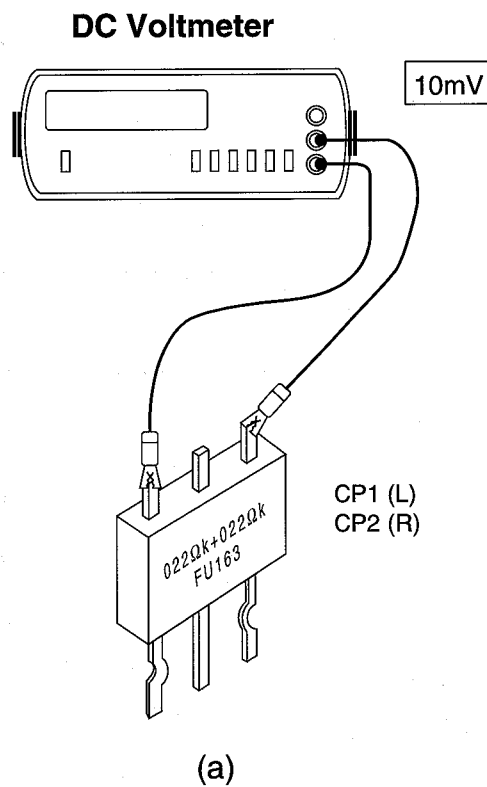
## CONTENTS

ADJUSTMENT .....	3	EXPLODED VIEW .....	13
WIRING DIAGRAM .....	4	PARTS LIST .....	14
PC BOARD .....	5	SPECIFICATIONS .....	BACK COVER
SCHEMATIC DIAGRAM .....	9		



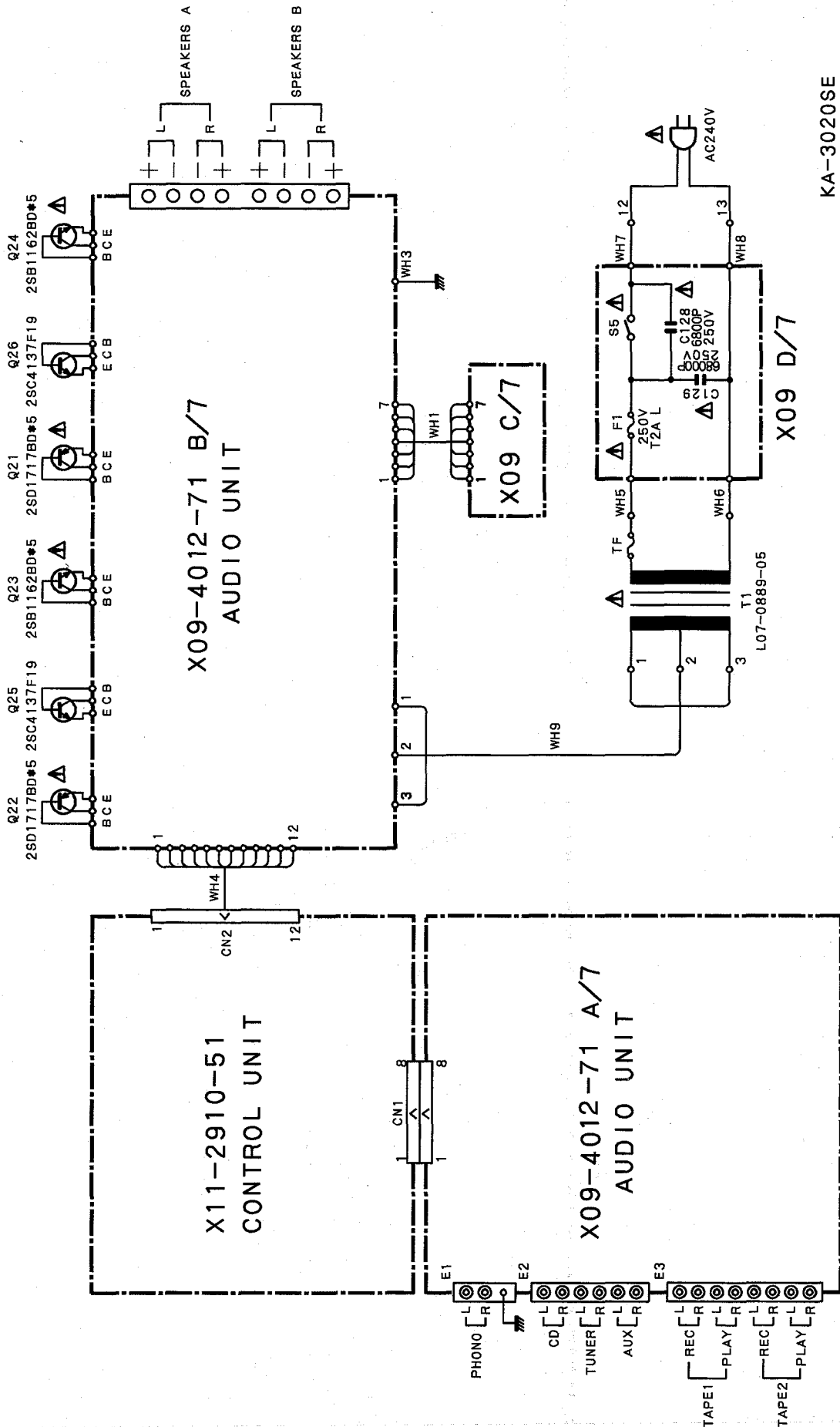
## ADJUSTMENT

No.	ITEM	INPUT SETTINGS	OUTPUT SETTINGS	AMPLIFIER SETTING	ALIGNMENT POINTS	ALIGN FOR	FIG.
Unless otherwise specified, set the respective switches as follows: POWER : ON SPEAKER : B REC OUT : OFF SELECTOR : PHONO							
1	IDLE CURRENT	—	Connect a DC voltmeter across CP1 (L) CP2 (R) (X09-)	VOLUME : 0	VR1 (L) VR2 (R) (X09-)	10mV	(a)



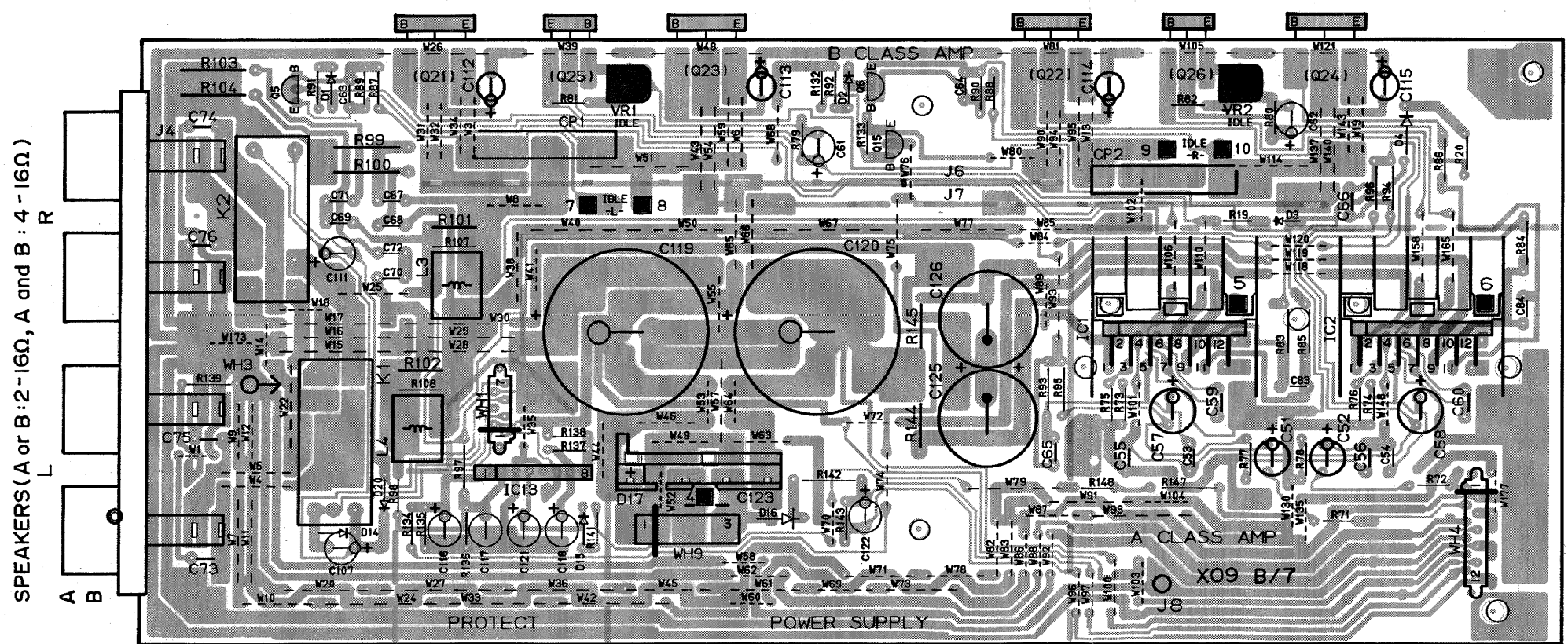
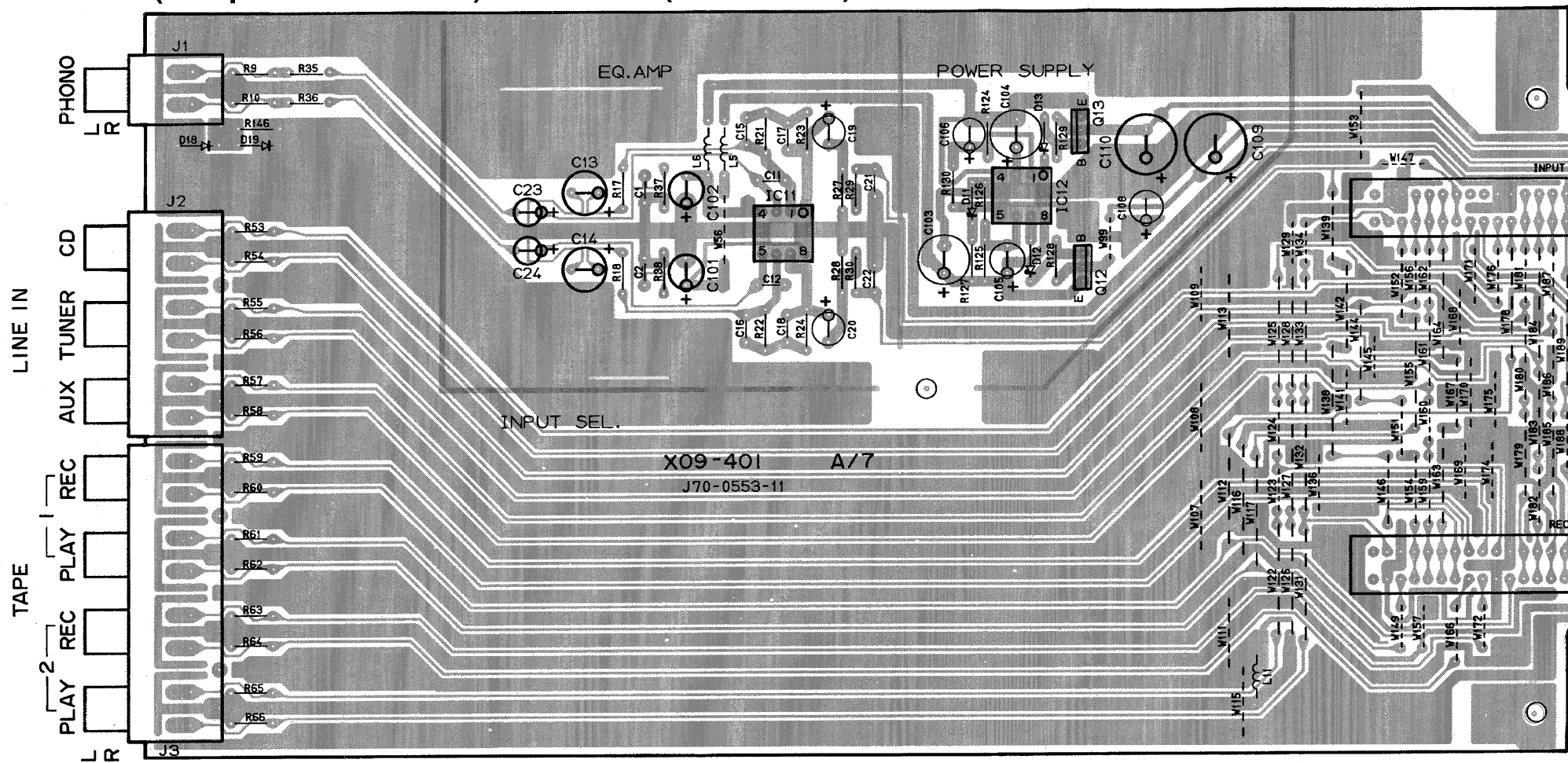
# KA-3020SE

## WIRING DIAGRAM

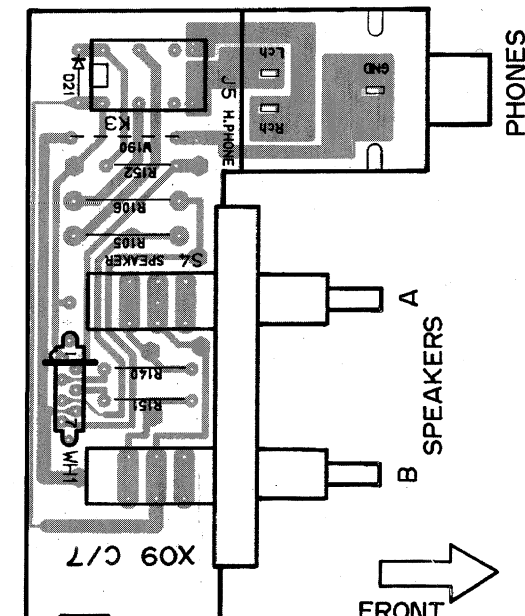
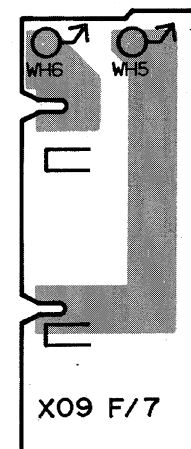
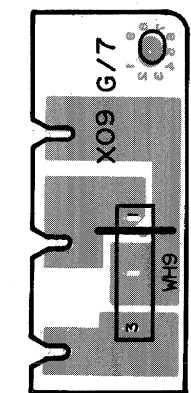
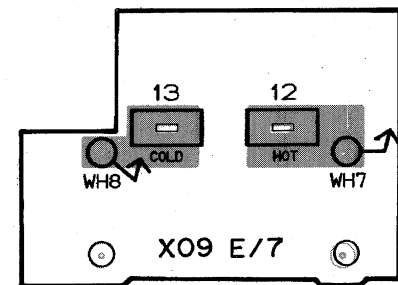
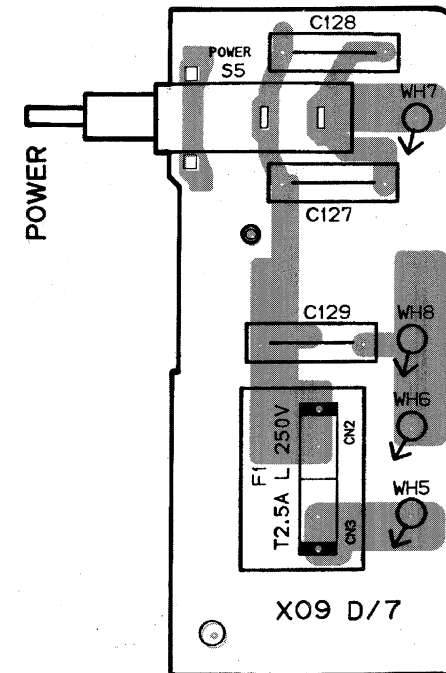


KA-3020SE

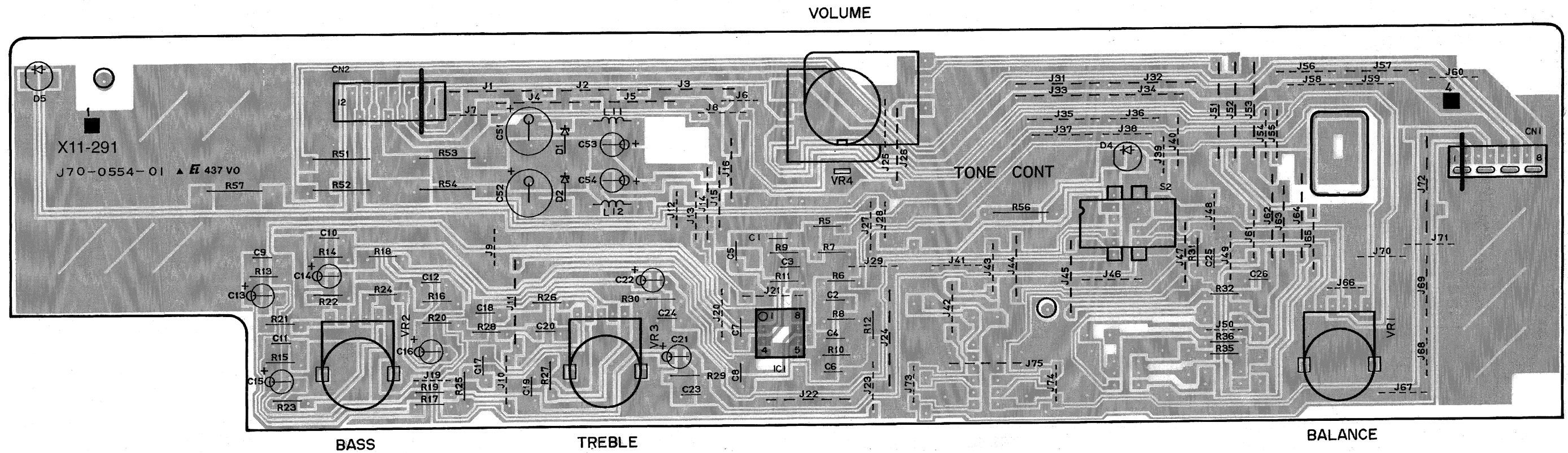
PC BOARD(Component Side View) AUDIO UNIT(X09-4012-71)



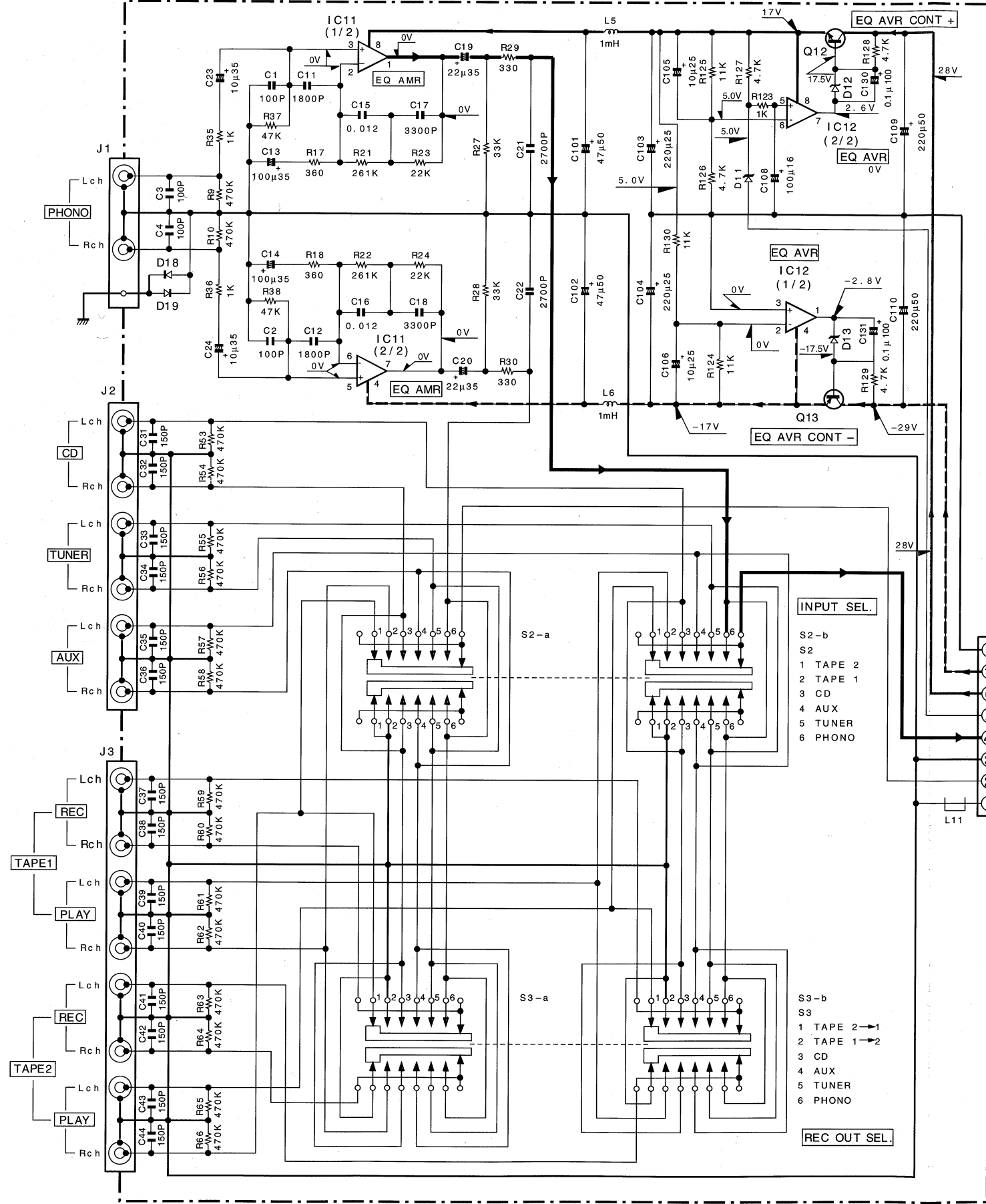
Refer to the schematic diagram for the value of resistors and capacitors.



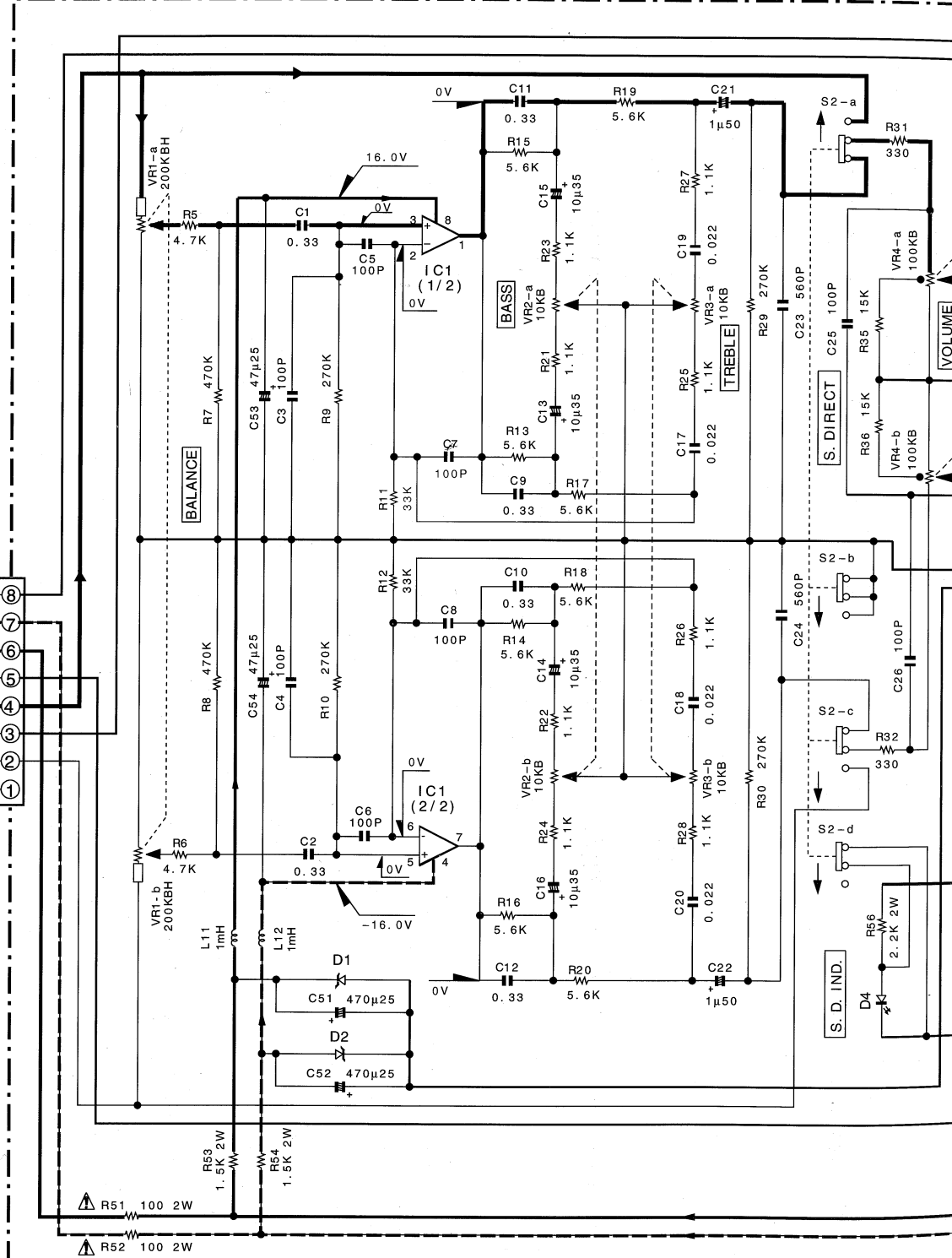
# PC BOARD(Component Side View) CONTROL UNIT(X11-2910-51)



X09-4012-71 A/7



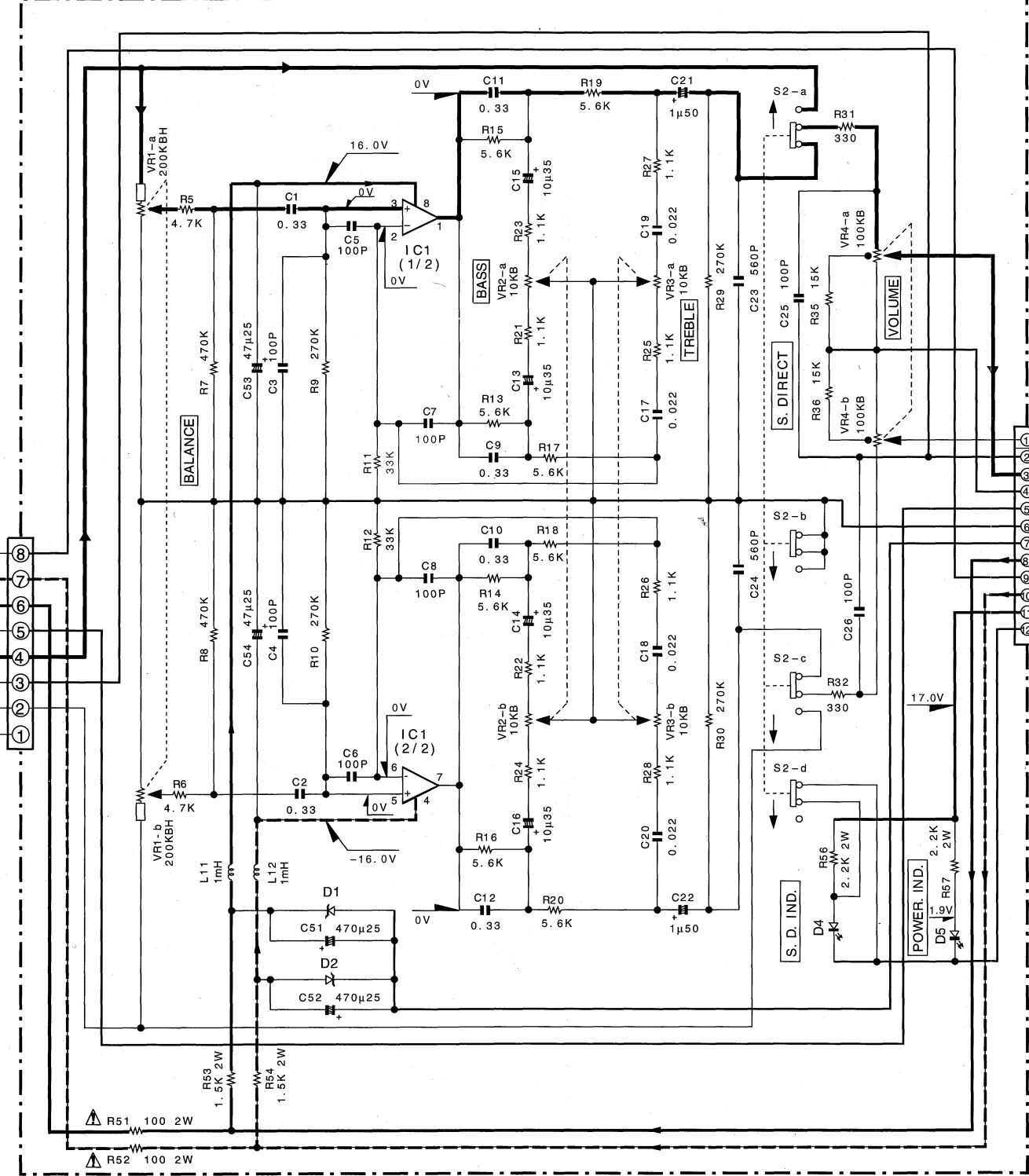
X11-2910-51



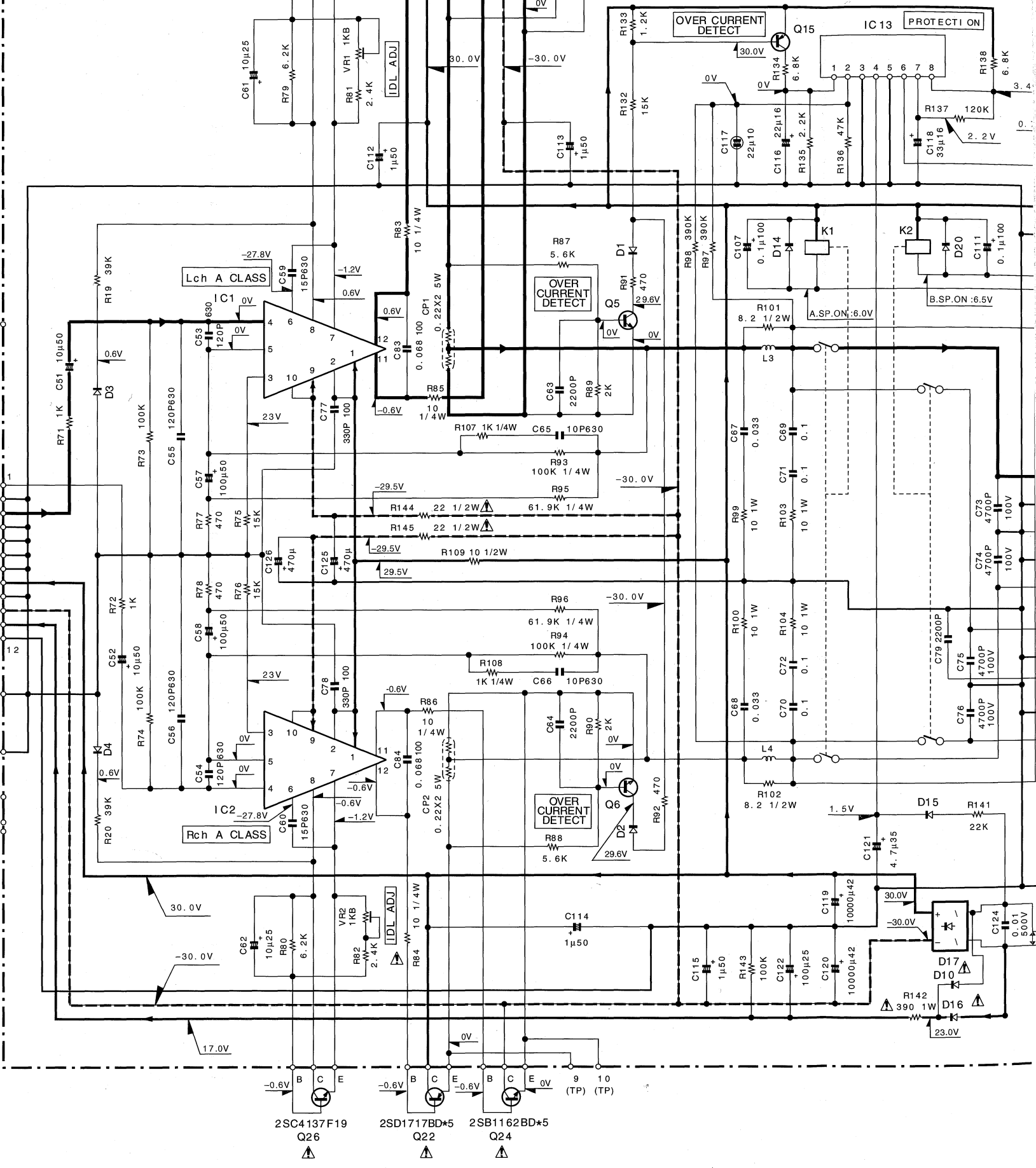
X11-2910-51

- X09-4012-71
- |        |                 |               |                    |
|--------|-----------------|---------------|--------------------|
| IC1, 2 | : μPC1298V      | D1, 2, 14     | : 1SS131 or        |
| IC11   | : NJM4580D-D    | 15, 20, 21    | : HSS104A          |
| IC12   | : NJM4565D-D    | D11           | : RD5, 1JS(B2) or  |
| IC13   | : μPC1237HA     |               | : HZS5, 1S(B2)     |
|        |                 | D12, 13       | : RD15JS(B) or     |
|        |                 |               | : HZS15S(B)        |
| Q5, 6  | : 2SC1845(F, E) | D10, 16       | : S5688B           |
| Q12    | : 2SD882(Q, P)  | D17           | : RBV-602LFA       |
| Q13    | : 2SB772(Q, P)  | D3, 4, 18, 19 | : 1SS133 or HSS104 |
| Q15    | : 2SA992(F, E)  |               |                    |

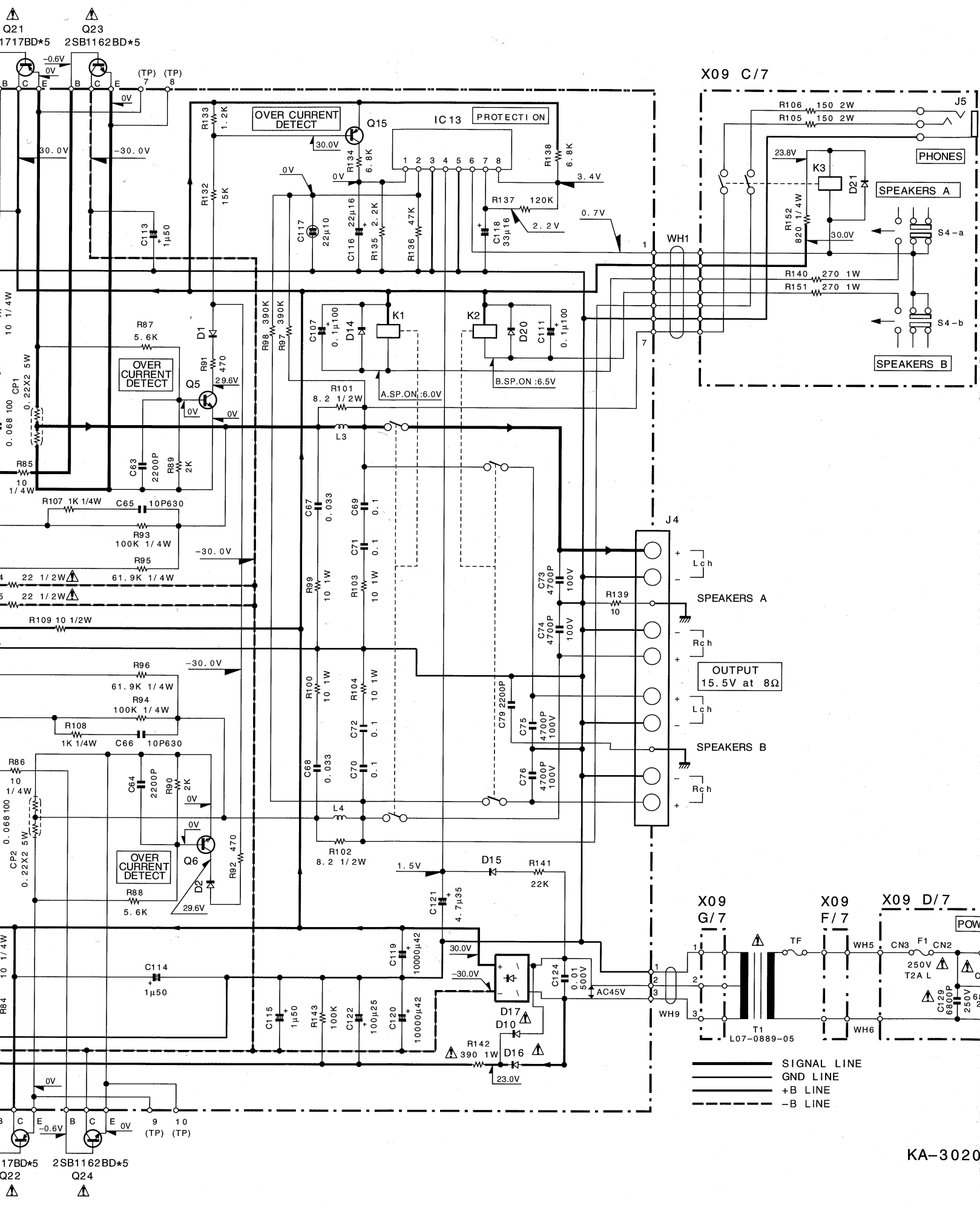
- IC1 : NJM4565D-D  
 D1, 2 : RD16ES(B2) or HZS16N(B2)  
 D4, 5 : B30-1291-05



X09-4012-71 B/7

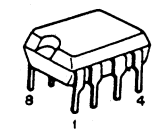
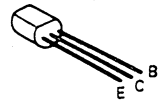
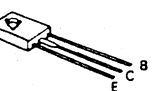
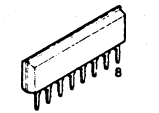
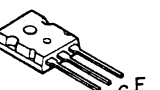
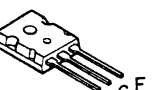
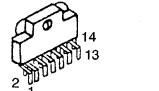
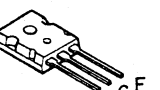
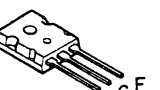
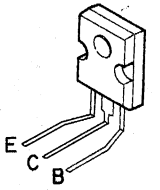
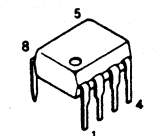


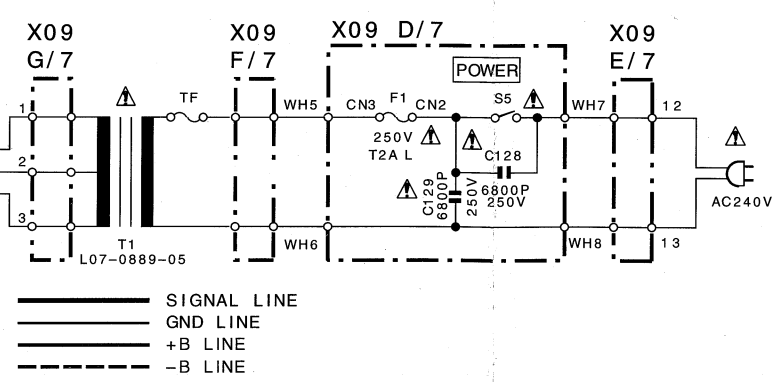




**CAUTION:** For continued safety, replace safety critical components only with manufacturer's recommended parts (refer to parts list).  $\Delta$  indicates safety critical components. For continued protection against risk of fire, replace only with same type and rating fuse(s). To reduce the risk of electric shock, leakage-current or resistance measurements shall be carried out (exposed parts are acceptably insulated from the supply circuit) before the appliance is returned to the customer.

The DC voltage is an actual reading measured with a high impedance type voltmeter with no signal input. The measurement value may vary depending on the measuring instruments used or on the product.

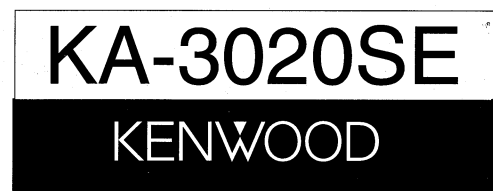
- NJM4580D-D 
- 2SA992 
- 2SC1845 
- UPC1237HA 
- 2SB772 
- 2SD882 
- UPC1298V 
- 2SB1162BD\*5 
- 2SD1717BD\*5 
- 2SC4137F19 
- NJM4565D-D 



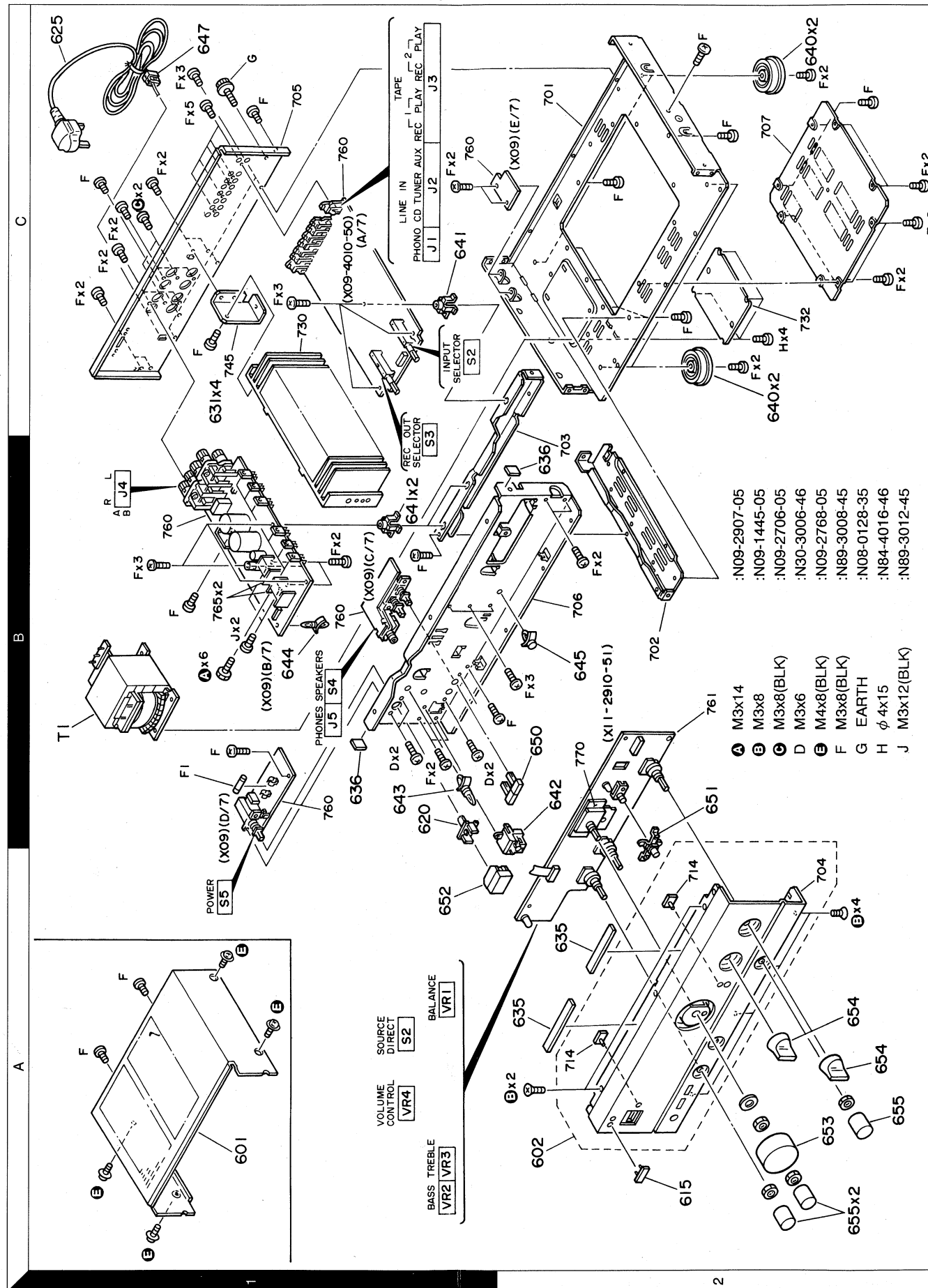
— SIGNAL LINE  
 — GND LINE  
 — +B LINE  
 - - - -B LINE

KA-3020SE

Y08-4172-72



## EXPLODED VIEW



Parts with the exploded numbers larger than 700 are not supplied.

## PARTS LIST

\* New Parts  
 Parts without **Parts No.** are not supplied.  
 Les articles non mentionnés dans le **Parts No.** ne sont pas fournis.  
 Teile ohne **Parts No.** werden nicht geliefert.

Ref. No.	Address	New Parts	Parts No.	
<b>KA-3020SE</b>				
601	1A		A01-3128-01	METALLIC (
602	2A		A60-0551-12	PANEL ASS
615	2A		B43-0287-04	KENWOOD
		*	B46-0310-03	WARRANTY
			B60-2541-00	INSTRUCTI
620	1B		D21-1448-14	EXTENSION
620	1B		D21-1448-14	EXTENSION
△ 625	1C		E30-0459-05	AC POWER
635	2A		G10-0185-04	NON-WOVE
636	1B,2B		G11-2201-04	CUSHION
		*	H50-1835-04	ITEM CART
			H10-5014-02	POLYSTYR
			H10-5015-02	POLYSTYR
			H25-0225-04	PROTECTI
			H25-0232-04	PROTECTI
640	2C		J02-1072-05	FOOT
641	1B,1C		J19-3179-05	UNIT HOLD
642	2B		J19-3296-03	HOLDER
643	1B,2B		J19-3324-15	UNIT HOLD
644	1B		J19-3325-05	UNIT HOLD
645	2B		J19-3300-05	UNIT HOLD
△ 647	1C		J42-0083-05	POWER CC
			J61-0307-05	WIRE BAND
650	2B		K27-2018-04	KNOB (SPE
651	2B		K27-2020-04	KNOB (SOL
652	1A		K29-3835-04	KNOB (POV
653	2A		K29-3944-04	KNOB (VOL
654	2A		K29-3945-04	KNOB (REC
655	2A		K29-3946-04	KNOB (BAS
△ T1	1B	*	L07-2126-05	POWER TR
A	1B		N09-2907-05	TAPTITE W
B	2A		N09-1445-05	FLAT HEAD
C	1C		N09-2706-05	BIND HD B-
D	1B		N30-3006-46	PAN HEAD
E	1A		N09-2768-05	SEMS BIND
F	1B,1C		N89-3008-45	BINDING HE
G	1C		N08-0128-35	BINDING PO
H	2C		N84-4016-46	PAN HEAD
<b>AUDIO UNIT (X09-4</b>				
C1-4			CF92FV1H101K	MF-C
C11,12			CF92FV1H182J	MF-C
C13,14			C90-3550-05	ELECTRO
C15,16			CF92FV1H123J	MF-C
C17,18			CF92FV1H332J	MF-C
C19,20			CE04KW1V220M	ELECTRO
C21,22			CF92FV1H272J	MF-C
C23,24			C90-3549-05	ELECTRO
C31-44			CF92FV1H151K	MF-C
C51,52			C90-1806-05	ELECTRO

L: Scandinavia      K: USA      P: Canada  
 Y: PX(Far East, Hawaii)      T: England      E: Europe  
 Y: AAFES(Europe)      X: Australia      M: Other Areas

PARTS LIST

\* New Parts  
Parts without **Parts No.** are not supplied.  
Les articles non mentionnes dans le **Parts No.** ne sont pas fournis.  
Teile ohne **Parts No.** werden nicht geliefert.

①

Ref. No.	Address	New Parts	Parts No.	Description	Desti-nation	Re-marks
<b>KA-3020SE</b>						
601	1A		A01-3128-01	METALLIC CABINET		
602	2A		A60-0551-12	PANEL ASSY		
615	2A		B43-0287-04	KENWOOD BADGE		
-			B46-0310-03	WARRANTY CARD		
-		*	B60-2541-00	INSTRUCTION MANUAL (EN)		
620	1B		D21-1448-14	EXTENSION SHAFT		
620	1B		D21-1448-14	EXTENSION SHAFT		
△ 625	1C		E30-0459-05	AC POWER CORD		
635	2A		G10-0185-04	NON-WOVEN FABRIC		
636	1B,2B		G11-2201-04	CUSHION		
-		*	H50-1835-04	ITEM CARTON CASE		
-			H10-5014-02	POLYSTYRENE FOAMED FIXTURE (L)		
-			H10-5015-02	POLYSTYRENE FOAMED FIXTURE (R)		
-			H25-0225-04	PROTECTION BAG		
-			H25-0232-04	PROTECTION BAG		
640	2C		J02-1072-05	FOOT		
641	1B,1C		J19-3179-05	UNIT HOLDER		
642	2B		J19-3296-03	HOLDER		
643	1B,2B		J19-3324-15	UNIT HOLDER		
644	1B		J19-3325-05	UNIT HOLDER		
645	2B		J19-3300-05	UNIT HOLDER		
△ 647	1C		J42-0083-05	POWER CORD BUSHING		
-			J61-0307-05	WIRE BAND		
650	2B		K27-2018-04	KNOB (SPEAKERS)		
651	2B		K27-2020-04	KNOB (SOURCE DIRECT)		
652	1A		K29-3835-04	KNOB (POWER)		
653	2A		K29-3944-04	KNOB (VOLUME CONTROL)		
654	2A		K29-3945-04	KNOB (REC OUT/INPUT)		
655	2A		K29-3946-04	KNOB (BASS/TREBLE/BALANCE)		
△ T1	1B	*	L07-2126-05	POWER TRANSFORMER		
A	1B		N09-2907-05	TAPTITE WITH WASHER M3X14		
B	2A		N09-1445-05	FLAT HEAD SET SCREW M3X8		
C	1C		N09-2706-05	BIND HD B-TAPTITE M3X8 BLACK		
D	1B		N30-3006-46	PAN HEAD MACHINE SCREW		
E	1A		N09-2768-05	SEMS BIND HD TAPTITE M4X8 BLK		
F	1B,1C		N89-3008-45	BINDING HEAD TAPTITE SCREW		
G	1C		N08-0128-35	BINDING POST (EARTH)		
H	2C		N84-4016-46	PAN HEAD TAPTITE SCREW		
<b>AUDIO UNIT (X09-4012-71)</b>						
C1-4			CF92FV1H101K	MF-C	100PF	K
C11,12			CF92FV1H182J	MF-C	1800PF	J
C13,14			C90-3550-05	ELECTRO	100UF	35WV
C15,16			CF92FV1H123J	MF-C	0.012UF	J
C17,18			CF92FV1H332J	MF-C	3300PF	J
C19,20			CE04KW1V220M	ELECTRO	22UF	35WV
C21,22			CF92FV1H272J	MF-C	2700PF	J
C23,24			C90-3549-05	ELECTRO	10UF	35WV
C31-44			CF92FV1H151K	MF-C	150PF	K
C51,52			C90-1806-05	ELECTRO	10UF	50WV

L : Scandinavia    K : USA    P : Canada    R : Mexico  
Y : PX(Far East, Hawaii)    T : England    E : Europe    G : Germany  
Y : AAFES(Europe)    X : Australia    M : Other Areas    △ indicates safety critical components.

PARTS LIST

\* New Parts  
Parts without **Parts No.** are not supplied.  
Les articles non mentionnes dans le **Parts No.** ne sont pas fournis.  
Teile ohne **Parts No.** werden nicht geliefert.

②

Ref. No.	Address	New Parts	Parts No.	Description	Desti-nation	Re-marks
C53-56			C91-1475-05	FILM	120PF	J
C57,58			C90-3563-05	ELECTRO	100UF	50WV
C59,60			C91-1464-05	FILM	15PF	K
C61,62			CE04KW1E100M	ELECTRO	10UF	25WV
C63,64			CK45FB1H222K	CERAMIC	2200PF	K
C65,66			C91-1462-05	FILM	10PF	K
C67,68			CF92FV1H333J	MF-C	0.033UF	J
C69-72			CF92FV1H104J	MF-C	0.10UF	J
C73-76			C91-1489-05	POLYPRO	4700PF	100WV
C77,78		*	C91-1539-05	POLYPRO	330PF	100WV
C79		*	C91-1536-05	PF	2200PF	J
C83,84		*	C91-1537-05	FILM	0.068UF	J
C101,102			C90-3562-05	ELECTRO	47UF	50WV
C103,104			CE04KW1E221M	ELECTRO	220UF	25WV
C105,106			CE04KW1E100M	ELECTRO	10UF	25WV
C107			CE04KW2A0R1M	ELECTRO	0.1UF	100WV
C108			CE04KW1C101M	ELECTRO	100UF	16WV
C109,110			CE04KW1H221M	ELECTRO	220UF	50WV
C111			CE04KW2A0R1M	ELECTRO	0.1UF	100WV
C112-115			C90-3551-05	ELECTRO	1.0UF	50WV
C116			CE04KW1C220M	ELECTRO	22UF	16WV
C117			C90-1333-05	NP-ELEC	22UF	10WV
C118			CE04KW1C330M	ELECTRO	33UF	16WV
C119,120		*	C90-3607-05	ELECTRO	10000UF	42WV
C121			CE04KW1V4R7M	ELECTRO	4.7UF	35WV
C122			CE04KW1E101M	ELECTRO	100UF	25WV
C123			CK45FE2H103P	CERAMIC	0.010UF	P
△ C125,126		*	C90-3608-05	ELECTRO	470UF	50WV
C128,129			C91-1488-05	MF	6800PF	250VAC
-			E29-1607-03	LEAD PLATE		
CN1			E40-3326-05	PIN ASSY		
J1			E13-0249-05	PHONO JACK (2P) PHONO		
J2			E13-0633-05	PHONO JACK (6P) CD/TUNER/AUX		
J3			E13-0825-05	PHONO JACK (8P) TAPE 1/TAPE 2		
J4			E20-0839-15	SCREW TERMINAL BOARD	SPEAKERS	
J5			E11-0208-05	PHONE JACK	PHONES	
△ F1			F05-2525-05	FUSE (SEMKO)	(250V T2.5AL)	
-			J11-0098-05	WIRE CLAMPER		
CN2,3			J13-0075-05	FUSE CLIP		
L3,4			L39-0085-05	PHASE COMPENSATION COIL		
L5,6			L40-1021-14	SMALL FIXED INDUCTOR(1.0MH,K)		
L11			L92-0017-05	FERRITE CORE		
F	1B		N89-3008-45	BINDING HEAD TAPTITE SCREW		
J	1B		N89-3012-45	BINDING HEAD TAPTITE SCREW		
CP1,2			R90-0187-05	MULTI-COMP	0.22X2	K5W
R21,22			RN14BK2C2613FTS	RN	261K	F1/6W
R73,74			RN14BK2C1003FTS	RN	100K	F1/6W
R75,76			RN14BK2C1502FTS	RN	15.0K	F1/6W
R77,78			RN14BK2C4700FTS	RN	470.0	F1/6W
R83-86			RD14AB2E100JTS	FL-PROOF RD	10	J1/4W
R93,94			RN14BK2E1003FTS	RN	100K	F1/4W
R95,96			RN14BK2E6192FTS	RN	61.9K	F1/4W

L : Scandinavia    K : USA    P : Canada    R : Mexico  
Y : PX(Far East, Hawaii)    T : England    E : Europe    G : Germany  
Y : AAFES(Europe)    X : Australia    M : Other Areas    △ indicates safety critical components.

# KA-3020SE KA-3020SE

## PARTS LIST

supplied.  
 s le **Parts No.** ne sont pas fournis.  
 nt geliefert.

②

Parts No.	Description	Desti- nation	Re- marks
C91-1475-05	FILM 120PF J		
C90-3563-05	ELECTRO 100UF 50WV		
C91-1464-05	FILM 15PF K		
CE04KW1E100M	ELECTRO 10UF 25WV		
CK45FB1H222K	CERAMIC 2200PF K		
C91-1462-05	FILM 10PF K		
CF92FV1H333J	MF-C 0.033UF J		
CF92FV1H104J	MF-C 0.10UF J		
C91-1489-05	POLYPRO 4700PF 100WV		
C91-1539-05	POLYPRO 330PF 100WV		
C91-1536-05	PF 2200PF J		
C91-1537-05	FILM 0.068UF J		
C90-3562-05	ELECTRO 47UF 50WV		
CE04KW1E221M	ELECTRO 220UF 25WV		
CE04KW1E100M	ELECTRO 10UF 25WV		
CE04KW2A0R1M	ELECTRO 0.1UF 100WV		
CE04KW1C101M	ELECTRO 100UF 16WV		
CE04KW1H221M	ELECTRO 220UF 50WV		
CE04KW2A0R1M	ELECTRO 0.1UF 100WV		
C90-3551-05	ELECTRO 1.0UF 50WV		
CE04KW1C220M	ELECTRO 22UF 16WV		
C90-1333-05	NP-ELEC 22UF 10WV		
CE04KW1C330M	ELECTRO 33UF 16WV		
C90-3607-05	ELECTRO 10000UF 42WV		
CE04KW1V4R7M	ELECTRO 4.7UF 35WV		
CE04KW1E101M	ELECTRO 100UF 25WV		
CK45FE2H103P	CERAMIC 0.010UF P		
C90-3608-05	ELECTRO 470UF 50WV		
C91-1488-05	MF 6800PF 250VAC		
C29-1607-03	LEAD PLATE		
C40-3326-05	PIN ASSY		
C13-0249-05	PHONO JACK (2P) PHONO		
C13-0633-05	PHONO JACK (6P) CD/TUNER/AUX		
C13-0825-05	PHONO JACK (8P) TAPE 1/TAPE 2		
C20-0839-15	SCREW TERMINAL BOARD SPEAKERS		
C11-0208-05	PHONE JACK PHONES		
C05-2525-05	FUSE (SEMKO) (250V T2.5AL)		
C11-0098-05	WIRE CLAMPER		
C13-0075-05	FUSE CLIP		
C39-0085-05	PHASE COMPENSATION COIL		
C40-1021-14	SMALL FIXED INDUCTOR(1.0MH,K)		
C92-0017-05	FERRITE CORE		
C89-3008-45	BINDING HEAD TAPTITE SCREW		
C89-3012-45	BINDING HEAD TAPTITE SCREW		
C90-0187-05	MULTI-COMP 0.22X2 K5W		
RN14BK2C2613FTS	RN 261K F1/6W		
RN14BK2C1003FTS	RN 100K F1/6W		
RN14BK2C1502FTS	RN 15.0K F1/6W		
RN14BK2C4700FTS	RN 470.0 F1/6W		
RD14AB2E100JTS	FL-PROOF RD 10 J1/4W		
RN14BK2E1003FTS	RN 100K F1/4W		
RN14BK2E6192FTS	RN 61.9K F1/4W		

USA **P**: Canada **R**: Mexico  
 England **E**: Europe **G**: Germany  
 Australia **M**: Other Areas **Δ** indicates safety critical components.

## PARTS LIST

\* New Parts  
 Parts without **Parts No.** are not supplied.  
 Les articles non mentionnes dans le **Parts No.** ne sont pas fournis.  
 Teile ohne **Parts No.** werden nicht geliefert.

③

Ref. No.	Address	New Parts	Parts No.	Description	Desti- nation	Re- marks
R99,100			RS14GB3A100JKW	FL-PROOF RS 10 J 1W		
R101,102			RD14KB2H8R2JKW	CARBON FILM 8.2 J 1/2W		
R103,104			RS14GB3A100JKW	FL-PROOF RS 10 J 1W		
R105,106			RS14DB3D151JTE	FL-PROOF RS 150 J 2W		
R107,108			RN14BK2C1001FU	RN 1.00K F 1/6W		
R139			RN14BK2C10R0FU	RN 10.0 F 1/6W		
R140			RS14DB3A271JTE	FL-PROOF RS 270 J 1W		
Δ R142			RS14DB3A391JTE	FL-PROOF RS 390 J 1W		
R151			RS14DB3A271JTE	FL-PROOF RS 270 J 1W		
R152			RD14AB2E821JTS	FL-PROOF RD 820 J 1/4W		
VR1,2			R12-1616-05	TRIMMING POT.(1K)IDLE ADJ.		
K1,2			S51-2078-05	MAGNETIC RELAY		
K3			S76-0028-05	MAGNETIC RELAY		
S2,3			S29-4021-05	ROTARY SLIDE SWITCH R OUT/IN		
S4			S42-2138-05	MULTIPLE PUSH SWITCH SPEAKERS		
Δ S5			S40-1153-05	PUSH SWITCH POWER		
D1,2			HSS104A	DIODE		
D1,2			1SS131	DIODE		
D3,4			HSS104	DIODE		
D3,4			1SS133	DIODE		
D11			HZS5.1S(B2)	ZENER DIODE		
D11			RD5.1JS(B2)	ZENER DIODE		
D12,13			HZS15S(B)	ZENER DIODE		
D12,13			RD15JS(B)	ZENER DIODE		
D14,15			HSS104A	DIODE		
D14,15			1SS131	DIODE		
Δ D16			S5688B	DIODE		
Δ D17			RBV-602LFA	DIODE		
D18,19			HSS104	DIODE		
D18,19			1SS133	DIODE		
D20,21			HSS104A	DIODE		
D20,21			1SS131	DIODE		
IC1,2			UPC1298V	IC(POWER AMP DRIVER)		
IC11			NJM4580D-D	IC(OP AMP X2)		
IC12			NJM4565D-D	IC(OP AMP X2)		
IC13			UPC1237HA	IC(POWER AMP)		
Q5,6			2SC1845(F,E)	TRANSISTOR		
Q12			2SD882(Q,P)	TRANSISTOR		
Q13			2SB772(Q,P)	TRANSISTOR		
Q15			2SA992(F,E)	TRANSISTOR		
Δ Q21,22			2SD1717BD*5	TRANSISTOR		
Δ Q23,24			2SB1162BD*5	TRANSISTOR		
Δ Q25,26			2SC4137F19(V,W)	TRANSISTOR		
<b>CONTROL UNIT (X11-2190-51)</b>						
D4,5			B30-1291-05	LED S.DIRECT/POWER		
C1,2			CF92FV1H334J	MF-C 0.33F J		
C3-8			CF92FV1H101K	MF-C 100PF K		
C9-12			CF92FV1H334J	MF-C 0.33UF J		
C13-16			CE04KW1V100M	ELECTRO 10UF 35WV		
C17-20			CF92FV1H223J	MF-C 0.022UF J		
C21,22			CE04KW1H010M	ELECTRO 1.0UF 50WV		
C23,24			CK45FB1H561K	CERAMIC 560PF K		
C25,26			CC45FSL1H101J	CERAMIC 100PF J		

L: Scandinavia **K**: USA **P**: Canada **R**: Mexico  
 Y: PX(Far East, Hawaii) **T**: England **E**: Europe **G**: Germany  
 Y: AAFES(Europe) **X**: Australia **M**: Other Areas **Δ** indicates safety critical components.

## PARTS LIST

\* New Parts  
 Parts without **Parts No.** are not supplied.  
 Les articles non mentionnes dans le **Parts No.** ne sont pas fournis.  
 Teile ohne **Parts No.** werden nicht geliefert.

4

Ref. No.	Address	New Parts	Parts No.	Description	Desti- nation	Re- marks
C51,52 C53,54 CN1 CN2			CE04KW1E471M CE04KW1E470M E40-0817-05 E40-4254-05	ELECTRO 470UF 25WV ELECTRO 47UF 25WV SOCKET FOR PIN ASSY FLAT CABLE CONNECTOR		
L11,12			L40-1021-14S	SMALL FIXED INDUCTOR(1.0MH,K)		
R35,36 R51,52 R53,54 R56,57 VR1			RN14BK2C1502FTS RS14DB3D101J RS14DB3D152J RS14DB3D222J R06-5134-05	RN 15.0K F 1/6W TE FL-PROOF RS 100 J 2W TE FL-PROOF RS 1.5K J 2W TE FL-PROOF RS 2.2K J 2W POTENTIOMETER(200KBH) BALANCE		
VR2,3 VR4 S2			R06-3048-05 R06-5179-05 S40-4074-05	POTENTIOMETER(10KB) BASS/TREB POTENTIOMETER(100KB) VOLUME PUSH SWITCH SOURCE DIRECT		
D1,2 D1,2 IC1			HZS16N(B2) RD16ES(B2) NJM4565D-D	ZENER DIODE ZENER DIODE IC(OP AMP X2)		

L : Scandinavia

K : USA

P : Canada

R : Mexico

Y : PX(Far East, Hawaii)

T : England

E : Europe

G : Germany

Y : AAFES(Europe)

X : Australia

M : Other Areas

△ indicates safety critical components.

# KA-3020SE

## SPECIFICATIONS

### Continuous rated power output

(IHF'66) From 20Hz to 20kHz, 0.06% T.H.D  
at 8  $\Omega$  ..... 30W+30W

(DIN) 1kHz at 8  $\Omega$  ..... 35W+35W  
at 2  $\Omega$  ..... 60W+60W

(IEC/NF) From 63Hz to 12,500 Hz, 0.7% T.H.D  
at 8  $\Omega$  ..... 30W+30W

at 4  $\Omega$  ..... 50W+50W

Dynamic power ..... 40W(8  $\Omega$ ), 45W(6  $\Omega$ )  
60W(4  $\Omega$ ), 75W(2  $\Omega$ )

Damping factor ..... 80(50Hz)

Total harmonic distortion ..... 0.06%(20Hz~20kHz, 30W, 8  $\Omega$ )  
0.015%(1kHz, 30W, 8  $\Omega$ )

Intermodulation distortion ..... 0.06%(30W, 8  $\Omega$ )  
(70Hz:7kHz=4:1)

### Frequency response

LINE(CD, TUNER, AUX, TAPE1, 2)  
..... 5Hz~100kHz, +0dB, -3dB

PHONO "RIAA" response ..... 20Hz~20kHz,  $\pm 0.3$ dB

### Maximum input level

PHONO(MM) ..... 120mV, 0.5% T.H.D. at 1kHz

### Signal to noise ratio

(IHF '66)

PHONO(MM) ..... 78dB

LINE(CD, TUNER, AUX, TAPE1,2) ..... 105dB

(IHF '78)

PHONO(MM) ..... 80dB

LINE(CD, TUNER, AUX, TAPE1,2) ..... 82dB

(DIN)

PHONO(MM) ..... 60dB(50mW output)

LINE(CD, TUNER, AUX, TAPE1,2) ..... 60dB(50mW output)

### Input sensitivity/impedance

PHONO(MM) ..... 2.5mV/47k  $\Omega$

LINE(CD, TUNER, AUX, TAPE1,2) ..... 200mV/47k  $\Omega$

### Tone control

BASS .....  $\pm 10$ dB(at 100Hz)

TREBLE .....  $\pm 10$ dB(at 10KHz)

### Output level/impedance

TAPE REC ..... 200mV/220  $\Omega$

### General

Power consumption ..... 150W

Dimensions ..... W : 440mm(17-5/16")

H : 138mm(5-7/16")

D : 349mm(13-3/4")

Weight(net) ..... 8.6kg(19lb)

**Note :** KENWOOD follows a policy of continuous advancements in development. For this reason specifications maybe changed without notice.

### Note:

Component and circuitry are subject to modification to insure best operation under differing local conditions. This manual is based on U.S.A.(K) standard, and provides information on regional circuit modification through use of alternate schematic diagrams, and information on regional component variations through use of parts list.

## KENWOOD CORPORATION

14-6,Dogenzaka 1-chome, Shibuya-ku, Tokyo, 150 Japan

### KENWOOD SERVICE CORPORATION

P.O BOX 22745, 2201 East Dominguez St., Long Beach, CA 90801-5745, U.S.A.

### KENWOOD ELECTRONICS CANADA INC.

6070 Kestrel Road, Mississauga, Ontario, Canada L5T 1S8

### KENWOOD ELECTRONICS LATIN AMERICA S.A.

P.O BOX 55-2791, Piso 6 plaza Chase, Cl. 47 y Aquilino de la Guardia Panama, Republic de Panama

### TRIO-KENWOOD U.K. LIMITED

KENWOOD House, Dwight Road, Watford, Herts., WD1 8EB., United Kingdom

### KENWOOD ELECTRONICS BENELUX N.V.

Meachelsesteenweg 418, B-1930 Zaventem, Belgium

### KENWOOD ELECTRONICS DEUTSCHLAND GMBH

Rembrücker Str. 15, 63150 Heusenstamm, Germany

### TRIO-KENWOOD FRANCE S.A.

13 Boulevard Ney, 75018 Paris, France

### KENWOOD ELECTRONICS ITALIA S.p.A.

Via G. Sirtori, 7/9 20129, Milano, Italy

### KENWOOD IBERICA S.A.

Bolivia, 239-08020 Barcelona, Spain

### KENWOOD ELECTRONICS AUSTRALIA PTY. LTD. (A.C.N. 001499 074)

P.O Box 504, 8 Figtree Drive, Australia Centre, Homebush, N.S.W. 2140, Australia

### KENWOOD & LEE ELECTRONICS, LTD.

Unit 3712-3724, Level 37, Tower 1, Metroplaza, 223 Hing Fong Road, Kwai Fong N.T., Hong Kong

### KENWOOD ELECTRONICS SINGAPORE PTE LTD.

No. 1 Genting Lane # 07-00, KENWOOD Building, Singapore, 1334

### KENWOOD ELECTRONICS (MALAYSIA) SDN BHD

10th Floor, Block B, Wisma Semantan, No. 12 Janlan Gelenggang, Bukit Damansara, 50490 Kuala Lumpur, Malaysia